

# CORING MACHINE





**JINDU  
CD-DCD06BL**

Collect Size

**200 mm**

Input Power

**2400 W**

Rated Voltage

**220 V**

Frequency

**50 Hz**

No Load Speed

**0 - 2200 r/min**

Total Weight

**3.0 Kg**



CF-DCD06BL

Optimized air inlet design  
Low noise and fast heat dissipation



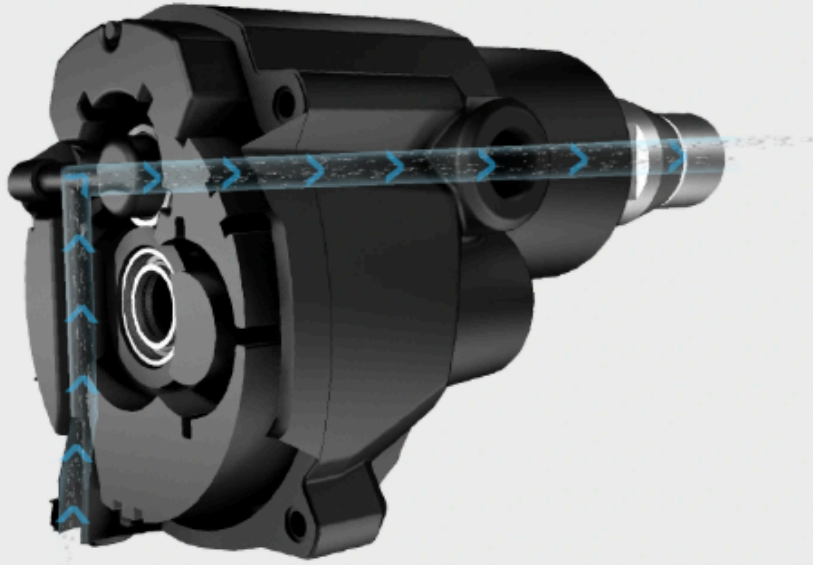
Fluorine rubber ring:  
Wear-resistant and  
heat-resistant, avoiding  
aging and oil leakage.

Adopts Mobil lubricant  
for better grease flow  
and gear lubrication  
Effectively extend gear  
life

Extended shoulder sup-  
port - Labor saving

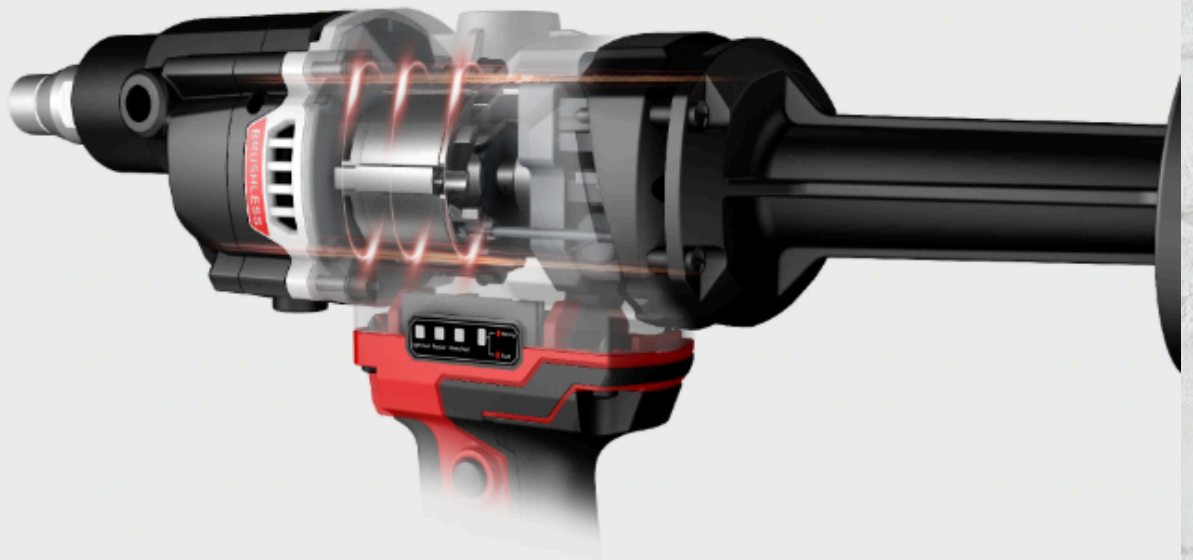
CF-DCD06BL

Quality details, superior materials  
Long service life



CF-DCD06BL

No cooper pipe and water seal design  
Large water FLOW without leakage



CF-DCD06BL




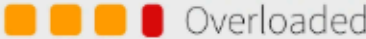
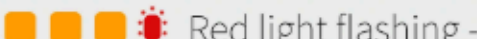

3600W Brushless Motor  
Small size with large power



CF-DCD06BL

Self-developed intelligent drive  
Drill more smoothly

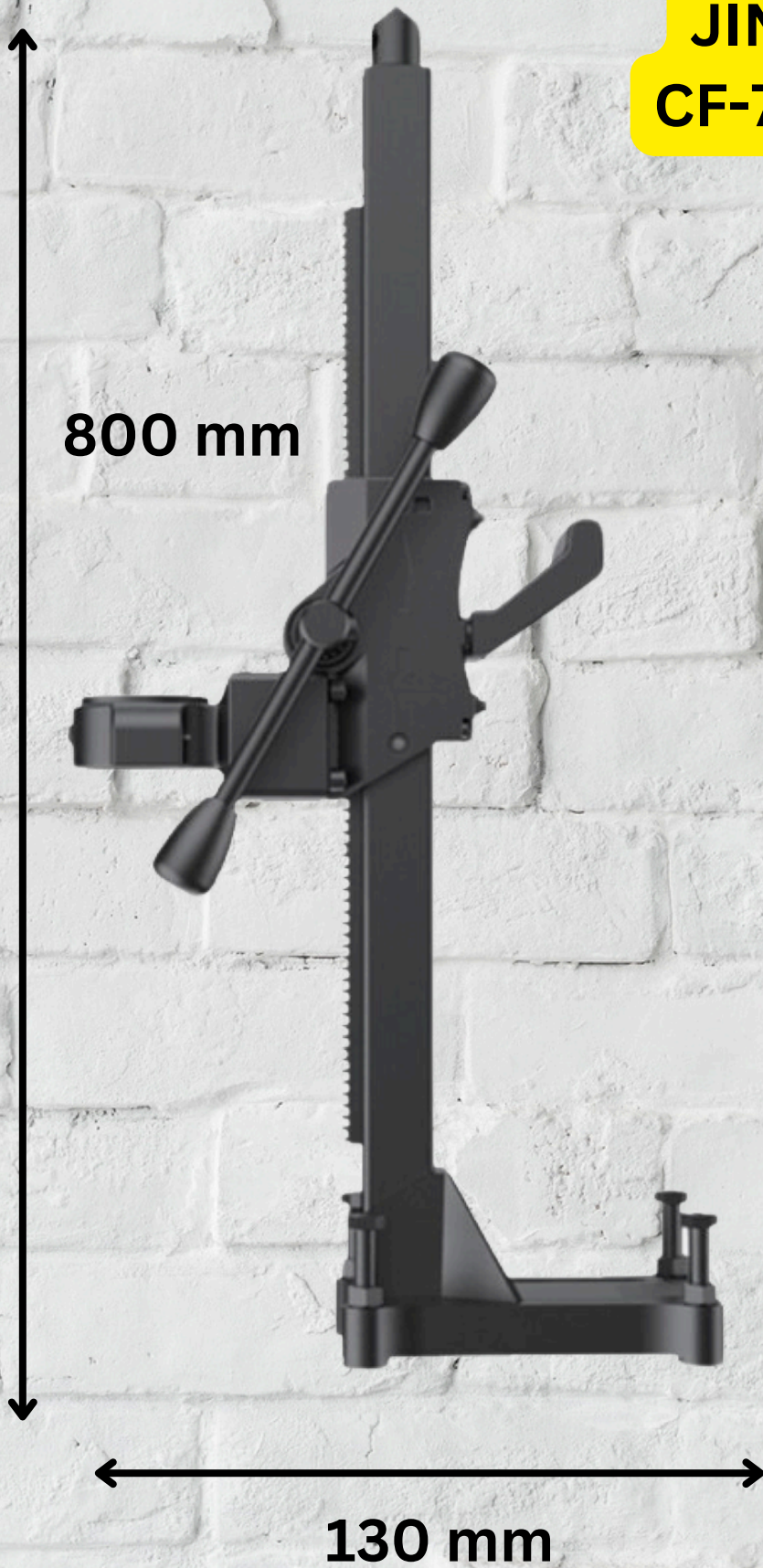


-  Light load
-  Regular
-  Heavy load
-  Overloaded
-  Red light flashing -  
Overload protection
-  Machine protection +  
Fault

CF-DCD06BL

Visible indication system  
Real-time workloads monitoring

**JINDU**  
**CF-7166A**



# Product Features

- High-strength base: Solid and durable for stability.
- High-strength column: 680mm height with extended lifting range.
- Ergonomic handle: Non-slip, anti-sweat, and comfortable grip.
- Portable design: Easy to carry, boosting work efficiency.



## Gainwealth Engineering & Trading

No. 6, Jalan Sutera 1/5A Kawasan Perindustrian, Bukit Angkat, 43000 Kajang, Selangor, Malaysia

H/P: 6012-3717349 Tel: 03-8730 1327

E-mail: alex2gw@gmail.com